

, -
 , - () , , -
 -
 - , -
 -
 - (,)
 -
 (,) , :
 - •
 - 28%,
 “ ” - , (.16);
 : “ ,
 •
 , -
 50%,
 -
 -
 (.1 -);
 •
 3 , - ” [1, -
 . 196]. - (-22%.
)
 XIX - XX . [1; 4]. - • - 63% (.16, 1 ,
 1);
 - • (-
 [5].) — 2% (.1);
 : () - • -33% (.1);
 () . • -2%.
 , - , “ -
 - ”. ^ (78 %)
 , (22 %), “ -
 ”
 -
 -
 , -
 -
 - :
 •
 - 6% (.1 , 1);



1.

(),

),

(

1. () [i]. - : , 1989. - 575 .

2. XIX-XX . / : , 1991. - 287 .

3. / -

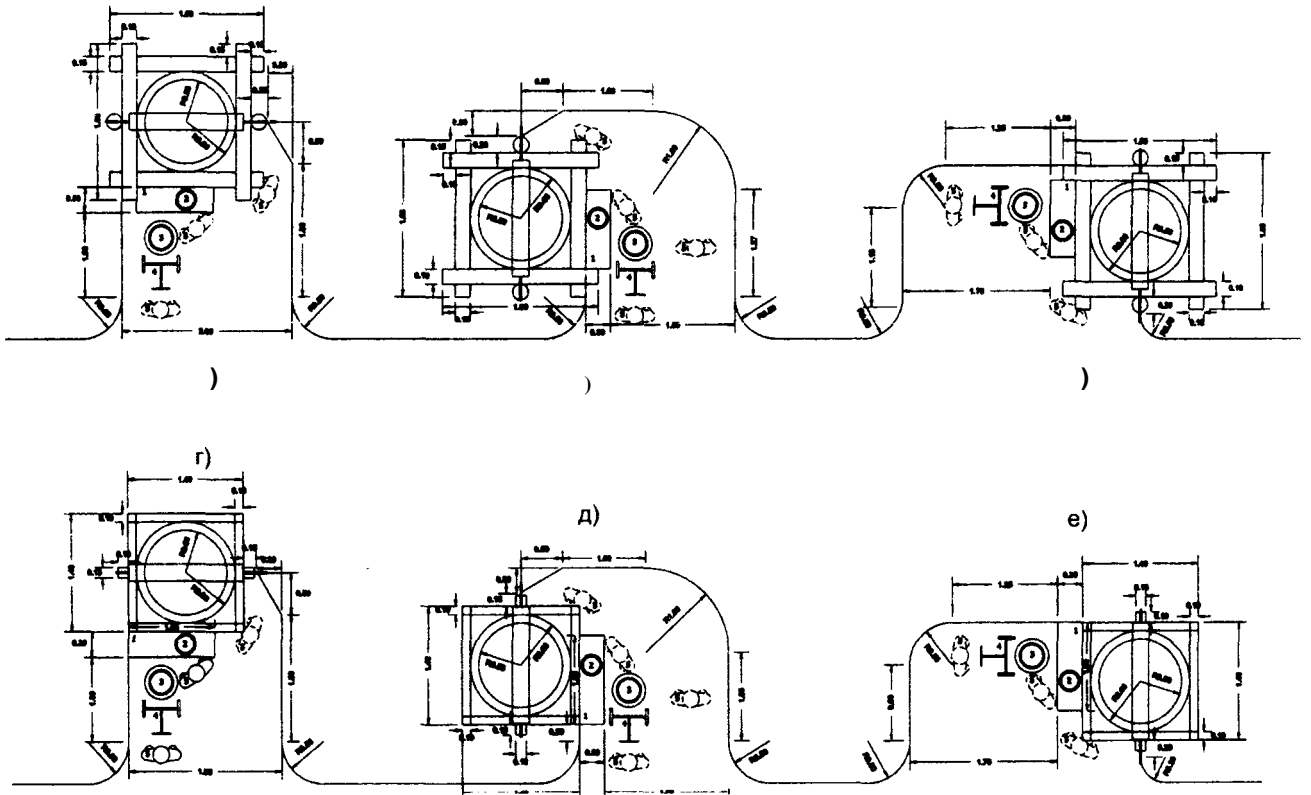
4. , 1949. - 220 .

5. / : , 1989. - 191 .

/ : , 1974. - 144 .

Drugomilov R.A.
**WELL AS AN ARCHITECTURAL
 ORGANISATION FORM OF MOGILEV REGION
 COUNTRY-SIDE (TECHNOLOGY AND
 AESTHETICS)**

A range of wells was inspected in rural settlements of Mogilev region (north-eastern area mainly), the typology of well's ground parts in country-side was worked out, the most optimum types of wells were chosen, the variants of organization of well ground were worked out.



.2.

- , , - ;
 , , - ;
 1 - ;
 2 - ;
 3 - ;
 4 - ;
 5 -).